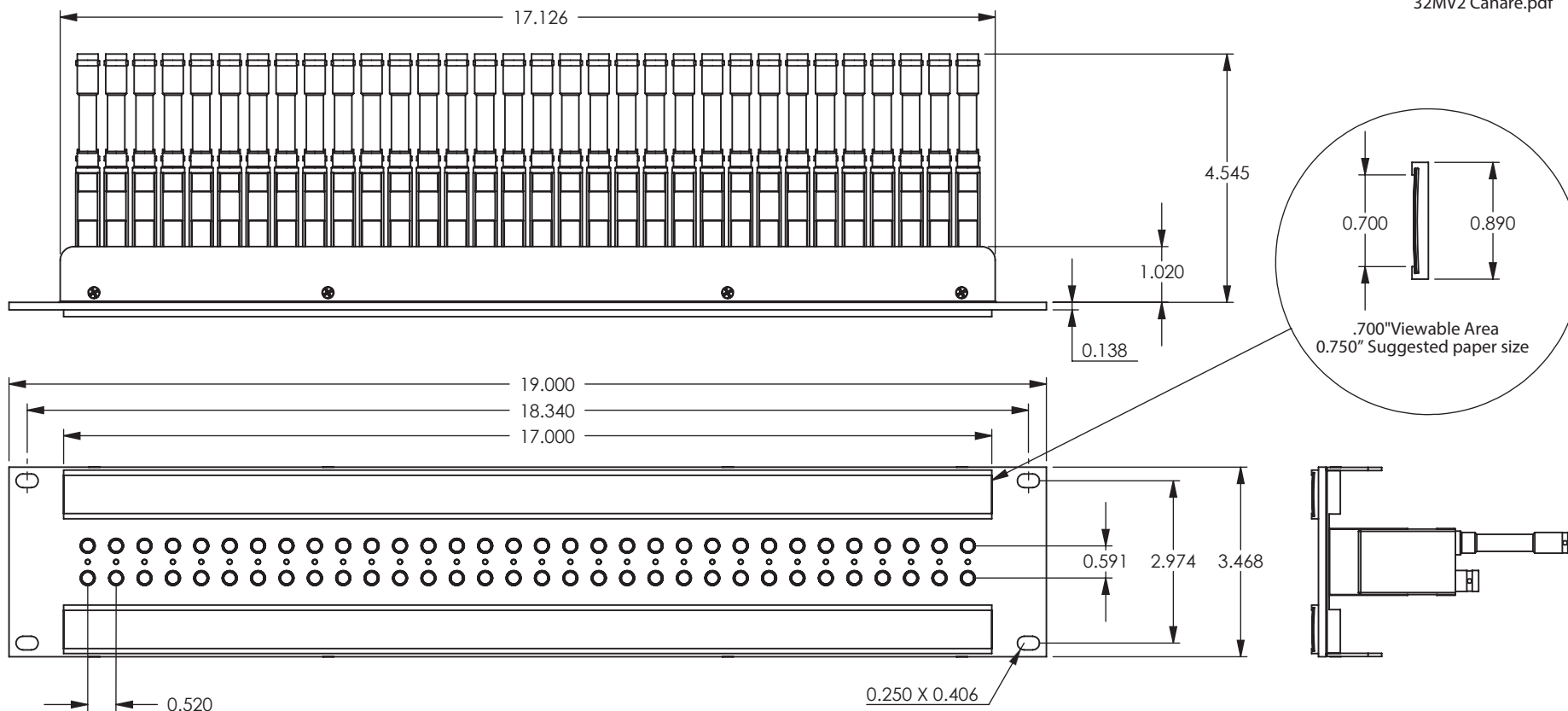


# 2x32x2RU 12G Video Patch Bay



### Ordering Numbers:

#### 32MV2/MCVJKSTW (Most Common)

(Dual, normalled, terminated jacks)

Video Port	Routing	BNCPort
No Patch		Signal Thru as arrowed
Patch Upper		Lower Terminated
Patch Upper		Upper Terminated
Patch Both		Signal Thru as arrowed

#### 32MV2/MCVJKSTS

(Straight through)

Video Port	Routing	BNCPort
No Patch		Both Signals Terminated
Patch Upper		Lower Terminated
Patch Upper		Upper Terminated
Patch Both		Signal Thru as arrowed

### Canare MCVJK-ST Series 12G SDI



- Return loss:  $\geq 10$  dB @ 3 GHz, 7 dB, @ 6 GHz, 4 dB @ 12 GHz
- Isolation:  $\geq 45$  dB @ 6 GHz
- 12G/3G/HD/SD-SDI
- Dust-proof shutter
- Staggered Standard BNC rear connectors
- Lightweight Aluminum alloy body

Unique Canare **Micro Video Patch Cord** must be used with these units Available in 2, 3, and 4 foot lengths (consult factory).

### Ordering Numbers:

- MVPCC2-2ft**
- MVPCC3-3ft**
- MVPCC4-4ft**

